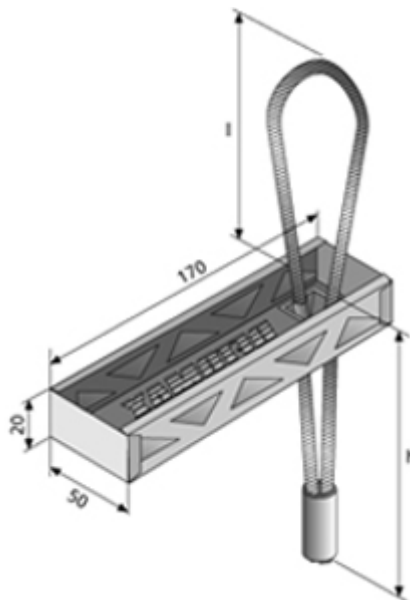


## SOLO



**Application:**  
Structural interconnection of precast units or between precast units and in-situ building components

**Features:**

- Handy sheet steel box
- Can be fastened wherever forces are to be transmitted
- Optimal distribution of shearing stress achieved by individual boxes
- Simple removal of shuttering
- No time wasted on bending out, simply release the loops

Articleno	Type	Casing height	Cable	h	l	Delivery qty.	Weight
		K mm	Ø mm	cm	cm	piece	kg/pc
33502508	80	20	6	25	8	1	0.200
33502310	100	20	6	23	10	1	0.200