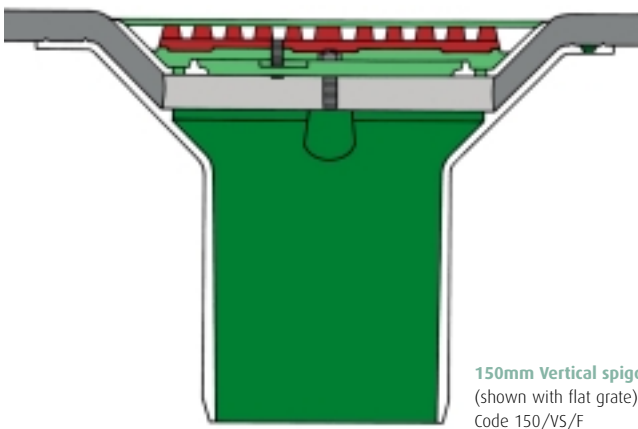
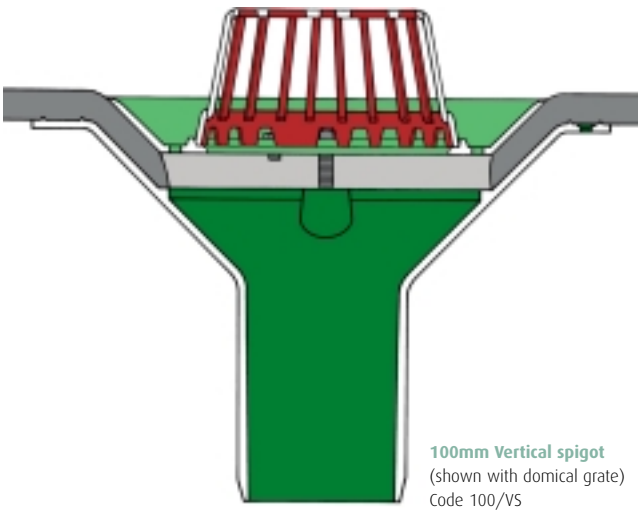
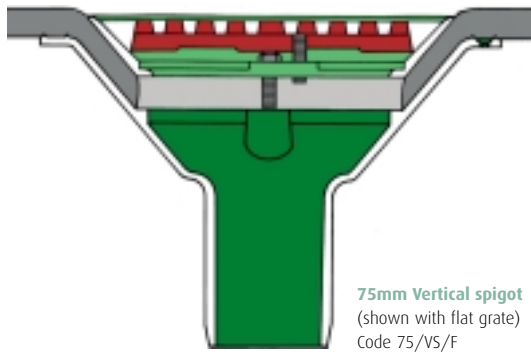
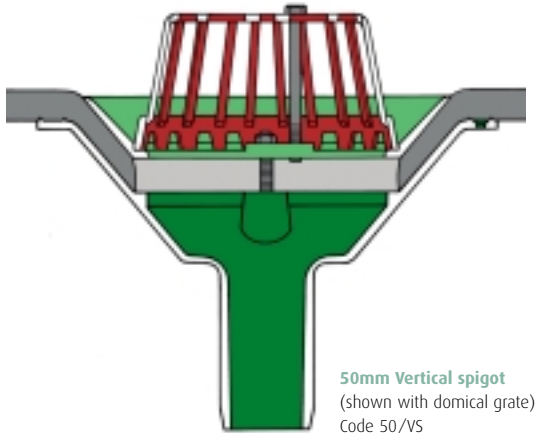


Vertical Spigot Outlets

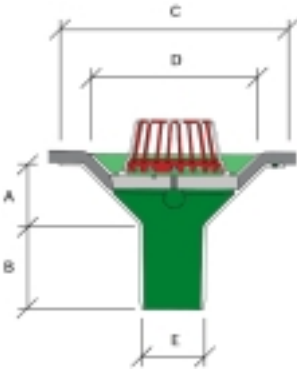


Caroflow Vertical Spigot roof outlets are available in either LM6 Aluminium Silicon casting alloy to BS 1490:1970 for most roof finishes or in leaded gunmetal to BS 1400:1985 for use with lead or copper-clad roofs or for connection to copper pipework. Foam insulation coating can be applied to both aluminium and gunmetal vertical spigot outlets for 'warm-roof' installation.

Performance and Connections see page 19.

Suitable for connection to:

- PVC (50/VS will not connect directly)
- Aluminium
- Cast iron
- Copper (gunmetal only)

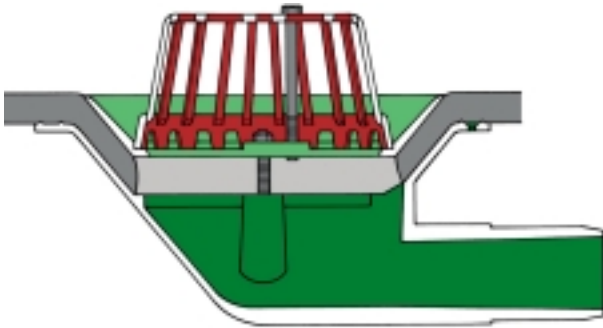


Order Code No.	50/VS	75/VS	100/VS	150/VS
Pipe size (nom)	50	75	100	150
A	92	92	110	85
B	108	108	135	160
C	300	300	380	380
D	250	250	305	305
E	60	83	110	160

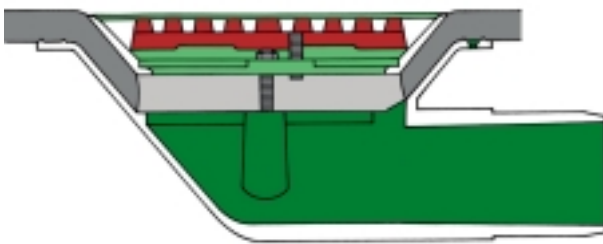
Example specification

100mm nominal bore CAROFLOW Vertical Spigot aluminium (or leaded gunmetal) rainwater outlet with domical grating Code 100/VS (100 VS/F for flat grate option) as manufactured by **Caroflow Limited Tel: 01763 244446.**

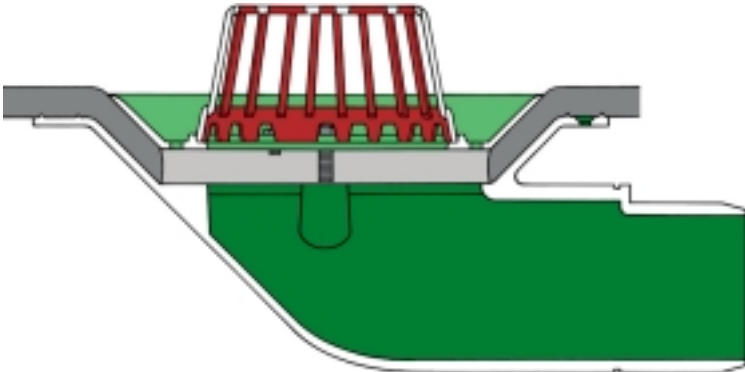
90° Spigot Outlets



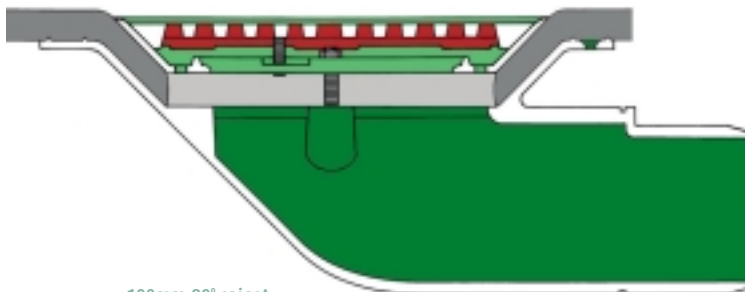
50mm 90° spigot
(shown with domical grate)
Code 50/90S



75mm 90° spigot
(shown with flat grate)
Code 75/90S/F



100mm 90° spigot
(shown with domical grate)
Code 100/90S



100mm 90° spigot
(shown with flat grate)
Code 100/90S/F

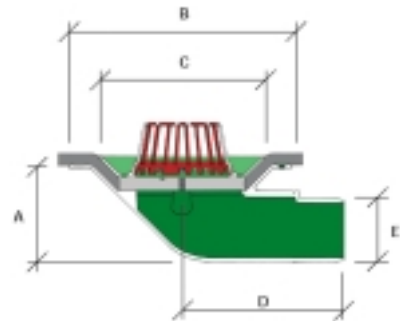


Caroflow 90° Spigot roof outlets are available in either LM6 Aluminium Silicon casting alloy to BS1490:1970 for most roof finishes or in leaded gunmetal to BS1400:1985 for use with lead or copper-clad roofs or for connection to copper pipework.

Performance and Connections see page 19.

Suitable for connection to:

- PVC (with heatshrink adaptor or flexible coupling)
- Aluminium
- Cast iron
- Copper (gunmetal only)

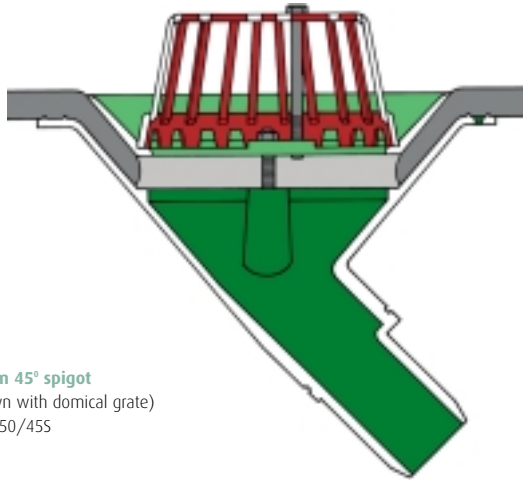


Order Code No.	50/90S	75/90S	100/90S
Pipe size (nom)	50	75	100
A	132	132	165
B	300	300	380
C	250	250	305
D	225	225	280
E	60	83	110

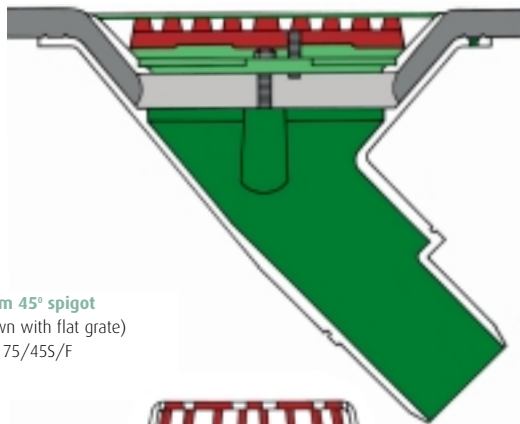
Example specification

100mm nominal bore **CAROFLOW** 90° Spigot aluminium (or leaded gunmetal) rainwater outlet with domical grating Code 100/90S (100/90S/F for flat grate option) as manufactured by **CAROFLOW LIMITED** Tel: 01763 244446.

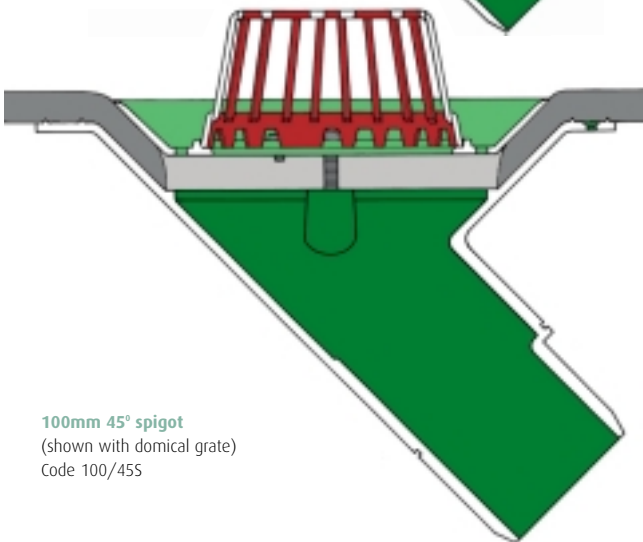
45° Spigot Outlets



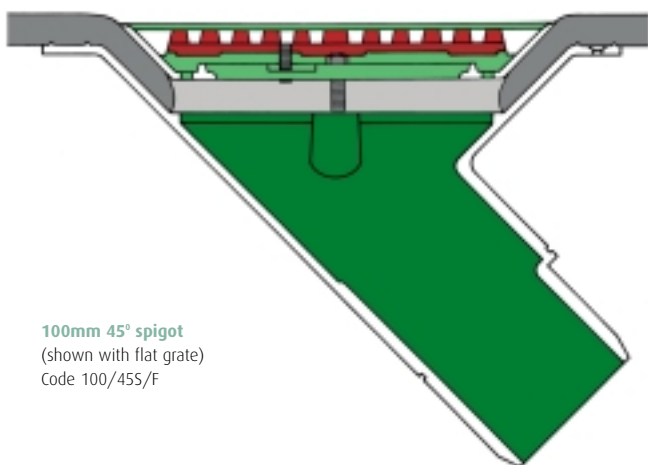
50mm 45° spigot
(shown with domical grate)
Code 50/45S



75mm 45° spigot
(shown with flat grate)
Code 75/45S/F



100mm 45° spigot
(shown with domical grate)
Code 100/45S



100mm 45° spigot
(shown with flat grate)
Code 100/45S/F

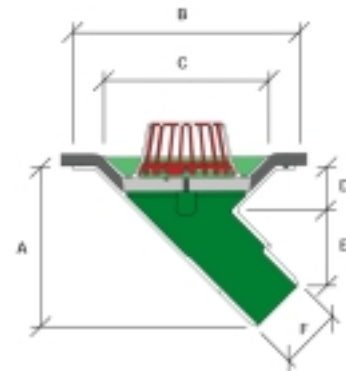


Caroflow 45° Spigot roof outlets are available in either LM6 Aluminium Silicon casting alloy to BS1490:1970 for most roof finishes or in leaded gunmetal to BS1400:1985 for use with lead or copper-clad roofs or for connection to copper pipework.

Performance and Connections see page 19.

Suitable for connection to:

- PVC (with heatshrink adaptor or flexible coupling)
- Aluminium
- Cast iron
- Copper (gunmetal only)



Order Code No.	50/45S	75/45S	100/45S
Pipe size (nom)	50	75	100
A	245	260	275
B	300	300	380
C	250	250	305
D	100	80	80
E	105	125	125
F	60	83	110

Example specification

100mm nominal bore **CAROFLOW** 45° Spigot aluminium (or leaded gunmetal) rainwater outlet with domical grating Code 100/45S (100/45S/F for flat grate option) as manufactured by **CAROFLOW LIMITED Tel: 01763 244446.**

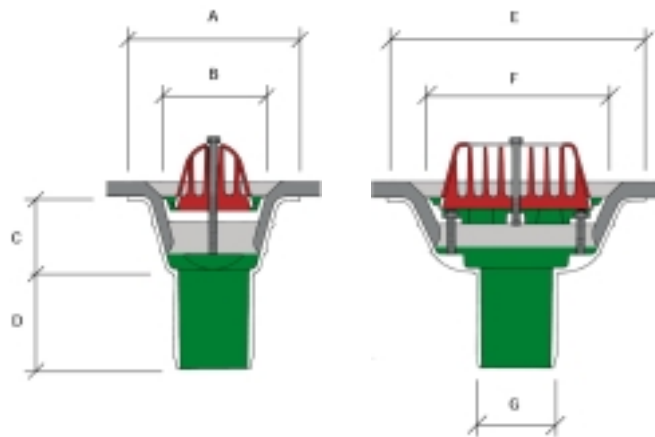


Caroflow Gulley outlets are designed for use in narrow width drainage channels, within which larger outlets would not be suitable. Available in either LM6 Aluminium Silicon casting alloy to BS1490:1970 for most roof finishes or in leaded gunmetal to BS1400:1985 for use with lead or copper-clad roofs or for connection to copper pipework.

Performance and Connections see page 19.

Suitable for connection to:

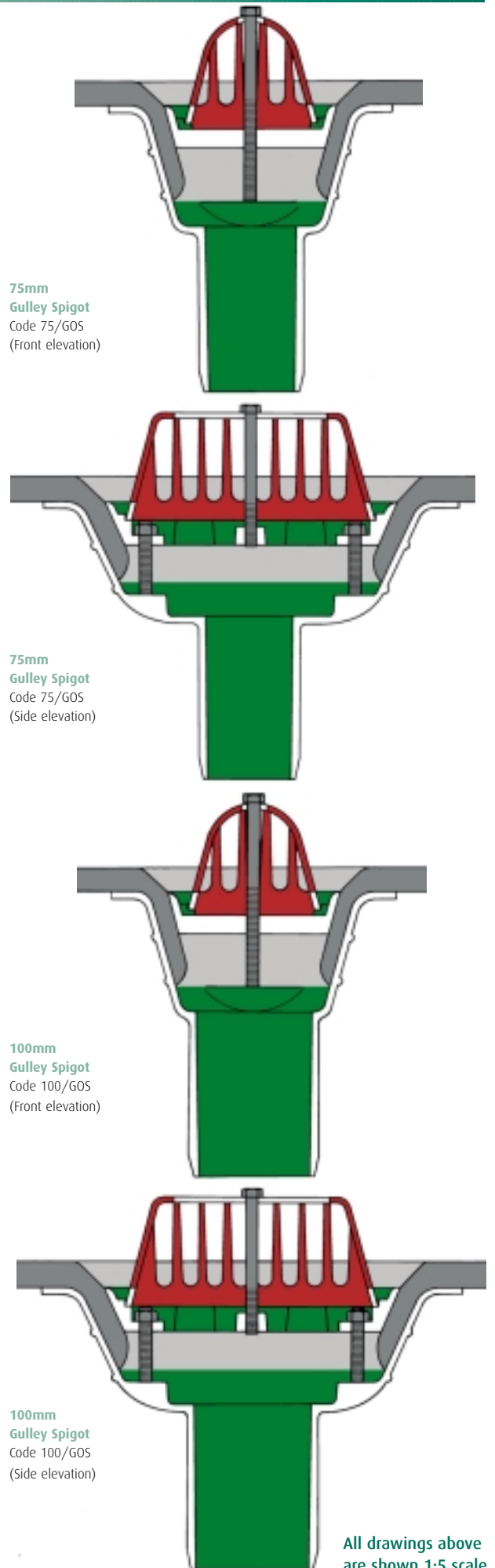
- PVC ● Aluminium ● Cast Iron
- Copper (Gunmetal only)



Order Code No.	75/G05	100/G05
Pipe size (nom)	75	100
A	238	238
B	144	144
C	105	105
D	125	125
E	344	344
F	240	240
G	83	110

Example specification

100mm nominal bore **CAROFLOW** Gulley Outlet with spigot connection in aluminium (or leaded gunmetal) with domical grating Code 100/G05 as manufactured by **CAROFLOW LIMITED** Tel: 01763 244446.



All drawings above are shown 1:5 scale