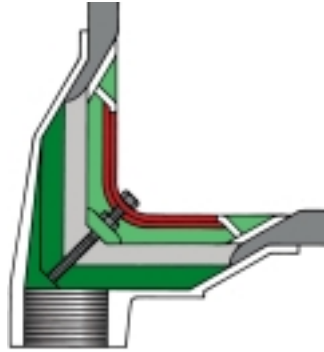
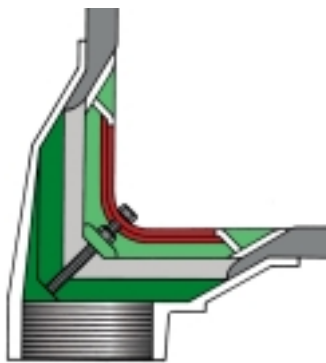


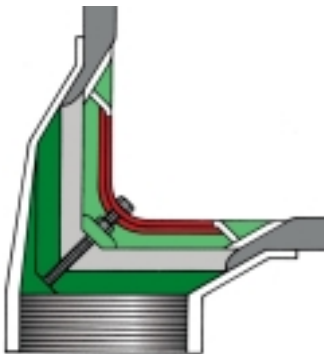
Two Way Outlets



50mm Two Way
Code 50/TW



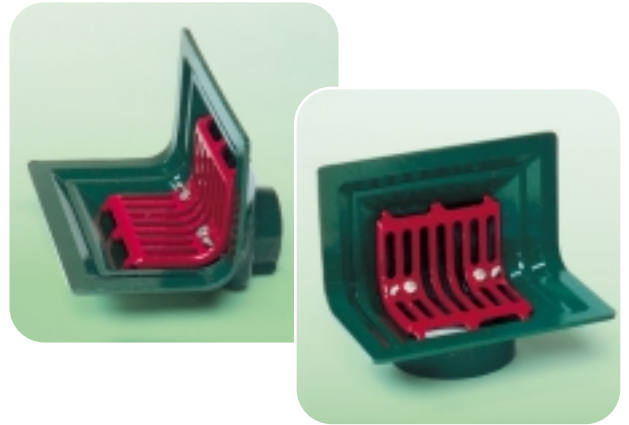
75mm Two Way
Code 75/TW



100mm Two Way
Code 100/TW



100mm Two Way
(front elevation)

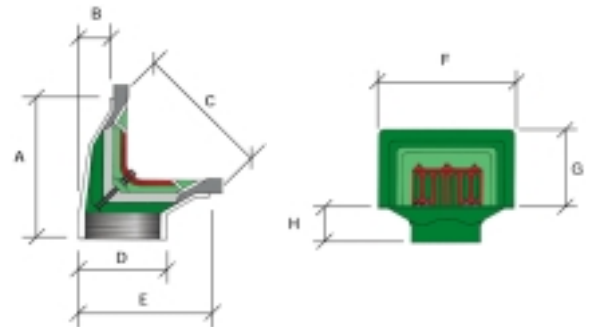


Caroflow Two-Way Threaded roof outlets are designed for use at the intersection of horizontal and vertical surfaces, i.e. a balcony and parapet wall, and can be used to drain off vertically or horizontally. Available in either LM6 Aluminium Silicon casting alloy to BS1490:1970 for most roof finishes or in leaded gunmetal to BS1400:1985 for use with lead or copper-clad roofs or for connection to copper pipework. They are female parallel threaded to BS21:1985.

Performance and Connections see page 19.

Suitable for connection to:

- Screw Threaded Steel
- PVC (with Caroflow Threaded adaptors see page 17)
- Aluminium (with Caroflow Threaded adaptors see page 17)
- Cast Iron (with Caroflow Threaded adaptors see page 17)
- Copper (Gunmetal only)



Order Code No.	50/TW	75/TW	100/TW
Pipe size (nom)	50	75	100
A	213	213	213
B	50	50	50
C	202	202	202
D	76	105	130
E	193	193	193
F	255	255	255
G	143	143	143
H	70	70	70

Example specification

100mm nominal bore **CAROFLOW** Two-Way Threaded aluminium (or leaded gunmetal) rainwater outlet Code 100/TW, as manufactured by **CAROFLOW LIMITED** Tel: 01763 244446.